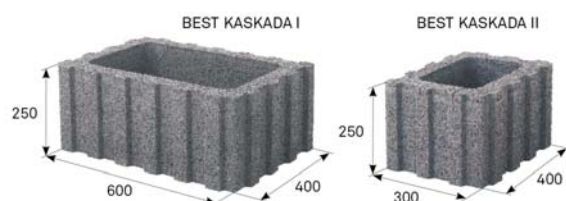




TECHNICAL INFORMATION



name	layout dimensions (mm)			soil content	consumption	quantity (pcs)		weight (kg)			max. tonnage up to 24 tonnes	
	height	length	width	m ³ /pc	pcs/m ²	layer	pallet	pcs	pallet	incl. pallet	pcs of pallets	pcs
BEST KASKADA I	250	600	400	0.035	6.66/10	4	20	48	960	990	24	480
BEST KASKADA II	250	400	300	0.013	10/13.33	6	30	30	900	930	24	720

We are holders of the Gold Certificate for complete certification according to ISO 9001, ISO 14001, ISO 50001, ISO 45001. Our products are manufactured and inspected pursuant to European harmonized standards.

product name	production standard	maximum deviation from declared production dimensions		tensile strength	frost resistance ČSN EN 13 198, Annex A
		width and length	height		
KASKADA I,II	PN-BEST-08-2009/A	±5 mm	±5 mm	≥ 15 MPa	50 cycles

EXPLANATIONS OF PICTOGRAMS



Surface
interstitial

SURFACE FINISHES AND COLOURS



NATURAL



CARAMEL

surface	characteristics	colour
INTERSTITIAL	surface with interstitial structure	natural, caramel

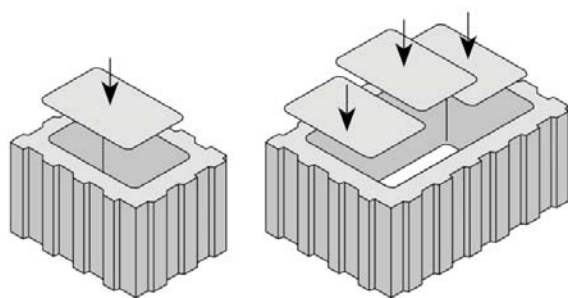
GENERAL INFORMATION

Universal masonry fittings made of plain vibro-pressed concrete with an interstitial structure. The blocks are designed for the construction of fence walls and as slope fittings.

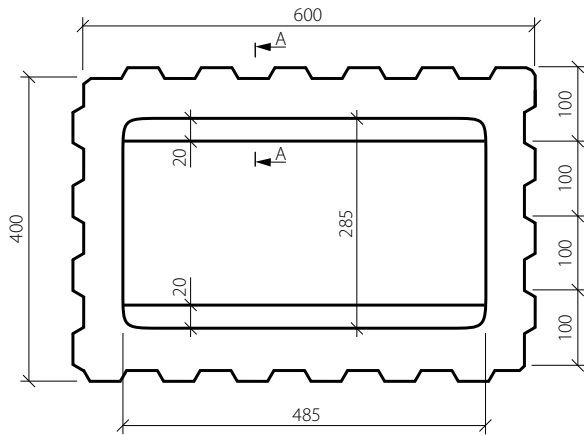
The minimum shipping quantity is 1 piece. The goods are loaded on marked pallets BEST (30 kg) or BEST large (38 kg) according to the production capacity of individual plants.

During installation, it is important to follow the correct procedure according to the instructions for use (www.best.cz).

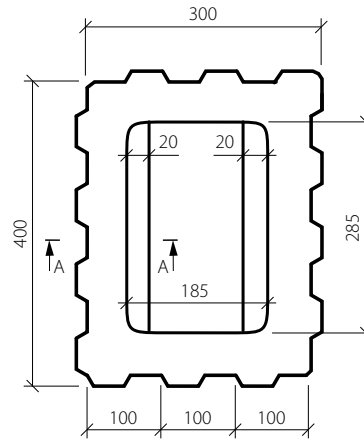
Note: You can use plastic bottoms (available at www.best.cz) to fill the individual BEST KASKADA elements. 3 pieces for BEST KASKADA I and 1 piece for BEST KASKADA II.



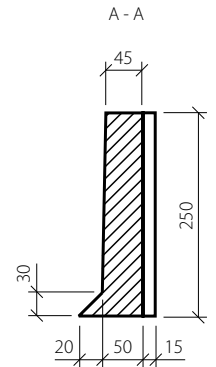
TECHNICAL DRAWINGS (mm)



BEST - KASKADA I
ground plan



BEST - KASKADA II
ground plan



BEST - KASKADA I, II
sectional view