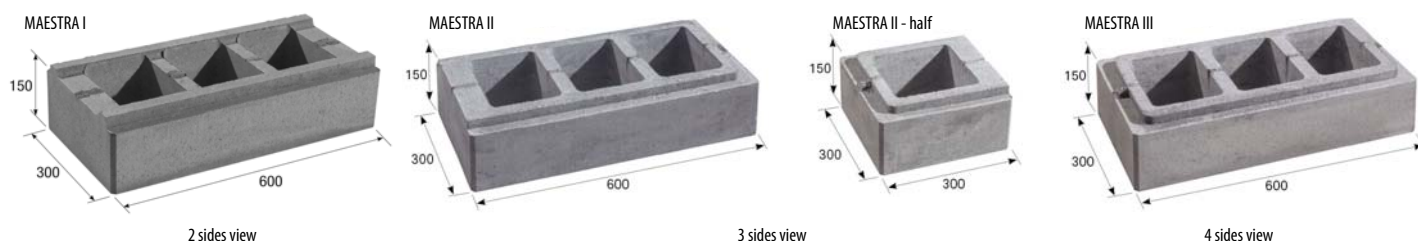


TECHNICAL INFORMATION



name	layout dimensions (mm)			consumption		quantity (pcs)		weight (kg)			max. tonnage up to 24 tonnes	
	height	wall thickness	width	pcs/lm	pcs/m ²	layer	pallet	pcs	pallet	incl. pallet	number of pallets	pcs
BEST MAESTRA I continuous	150	600	300	1.67	11.11	4	24	32	768	798	30	720
BEST MAESTRA II end, end half-cut	150	600	300	-	11.11	4 + 4	36	32	1176	1206	19	456
	150	300	300	-	22.22			17				
BEST MAESTRA III columnar	150	600	300	1.67	11.11	6	36	32	1152	1182	20	720

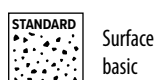
Note: BEST MAESTRA II is sold only in whole layers - always 4 pieces of whole and 4 pieces of half fittings per layer (on the documents it is stated as 6 whole fittings).

These values vary depending on the production capabilities of individual BEST plants, see www.best.cz for details.

We are holders of the Gold Certificate for complete certification according to ISO 9001, ISO 14001, ISO 50001, ISO 45001. Our products are manufactured and inspected pursuant to European harmonized standards.

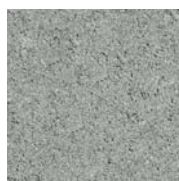
production standard	maximum deviation from declared production dimensions		tensile strength	capillary absorptivity	frost resistance ČSN 73 1322
	width and length	height			
ČSN EN 771-3+A1	+3/-5 mm	+3/-5 mm	≥ 25 MPa	not more than 7 g/m ² s	50 cycles

EXPLANATIONS OF PICTOGRAMS



Surface basic

SURFACE FINISHES AND COLOURS



NATURAL



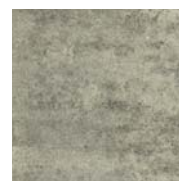
CARAMEL



WHITE



COLORMIX ARABICA



COLORMIX BRILANT



COLORMIX SAND

surface	characteristics	colour
STANDARD	standard surface with natural aggregate roughness corresponding to the visible layer of concrete paving	natural, caramel, colormix arabica, colormix brilant, colormix sand

GENERAL INFORMATION

Design masonry fittings made of plain vibro-pressed concrete with a smooth facing wall.

The view part of the masonry fitting is formed by a rebound in its upper part. The brick construction of these elements thus forms lines in layers.

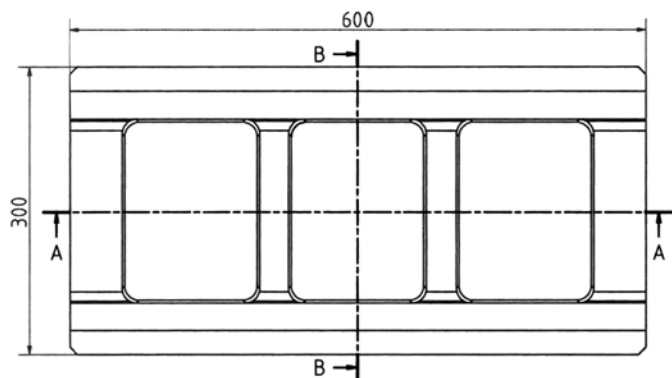
The minimum shipping quantity is 1 piece. The goods are loaded on marked pallets BEST (30 kg) or BEST large (38 kg) according to the production capacity of individual plants.

During installation, it is important to follow the correct procedure according to the instructions for use (www.best.cz).

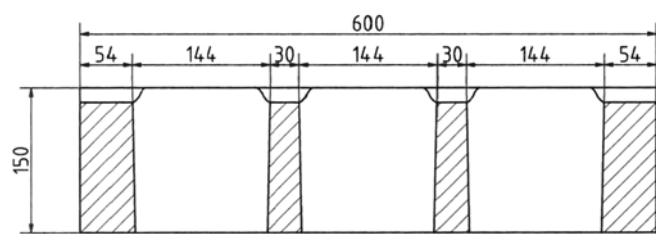


TECHNICAL DRAWINGS (mm)

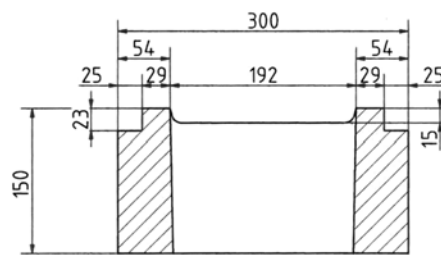
BEST MAESTRA I continuous



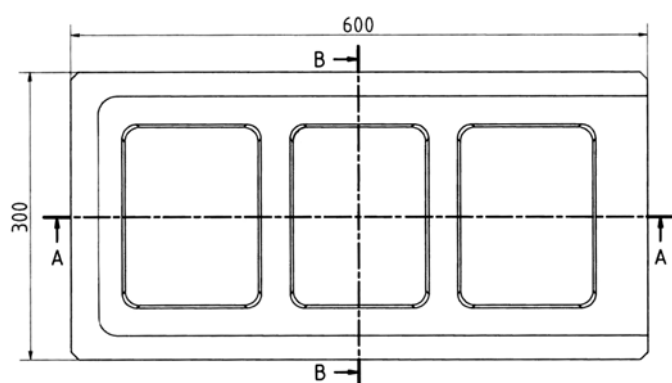
sectional view A-A



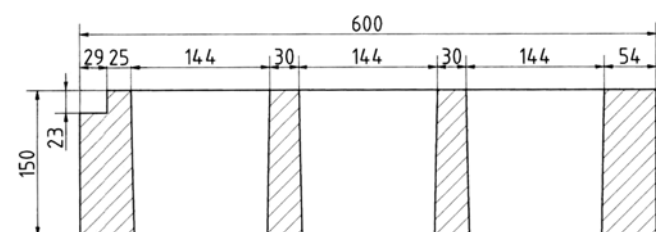
sectional view B-B



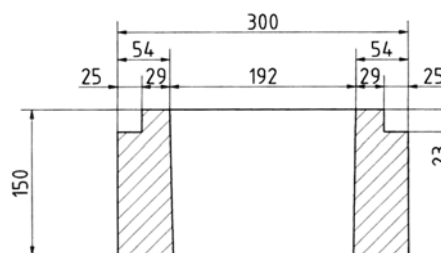
BEST MAESTRA II end



sectional view A-A

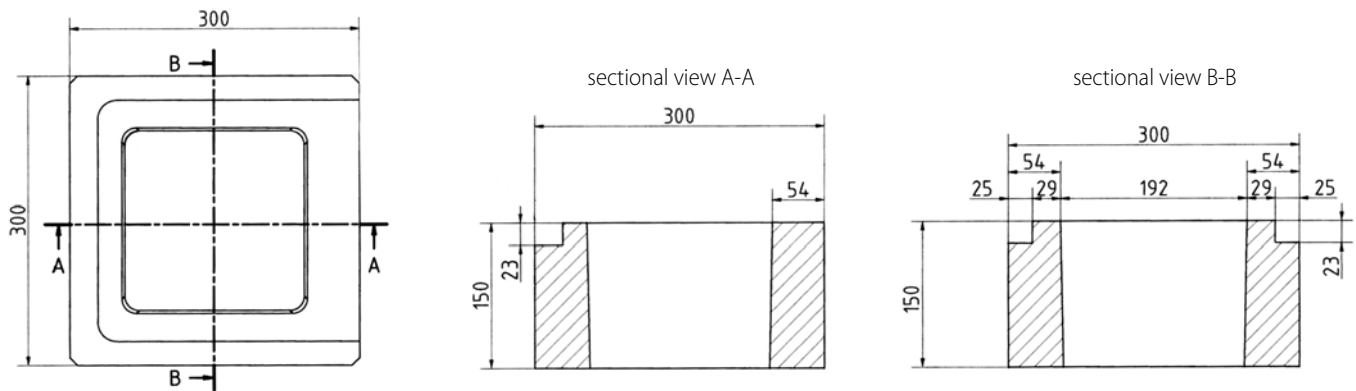


sectional view B-B



TECHNICAL DRAWINGS (mm)

BEST MAESTRA II end half-cut



BEST MAESTRA III columnar

